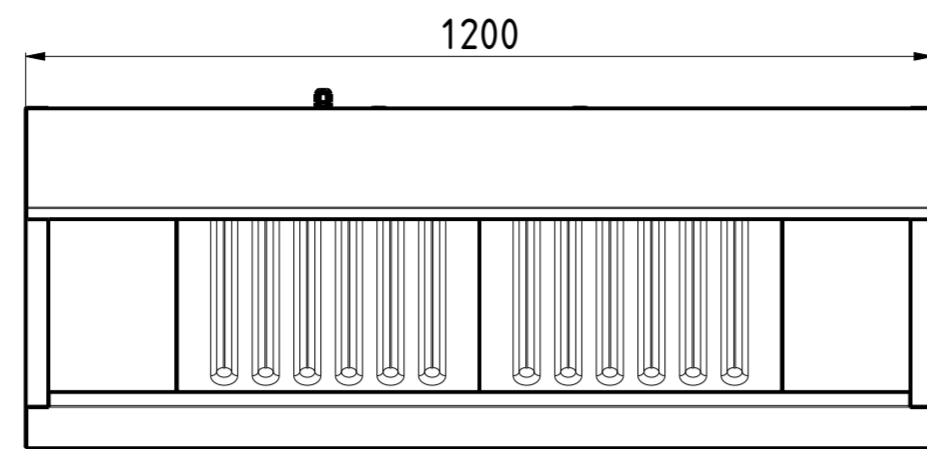
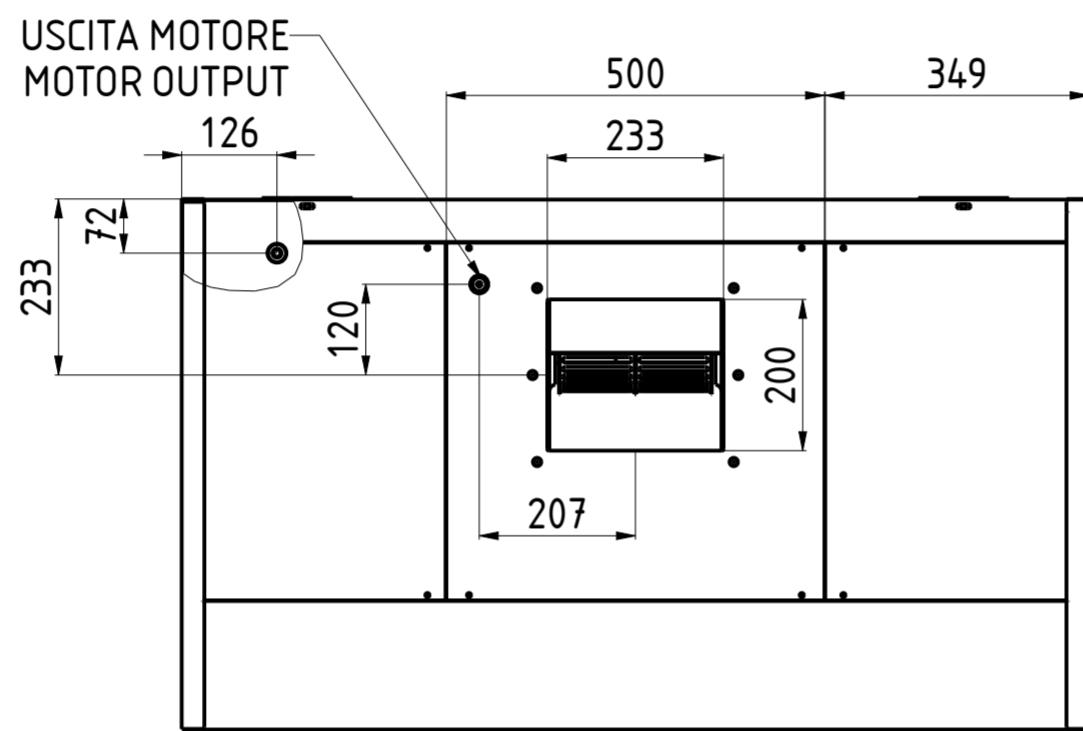


CHSN07L120MF

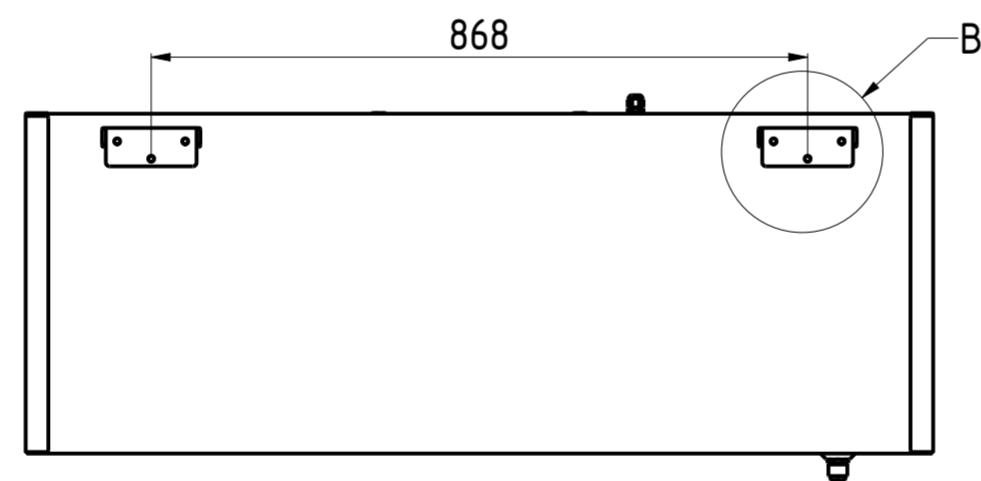


FRONT VIEW 1:10
SCARICO DRAIN

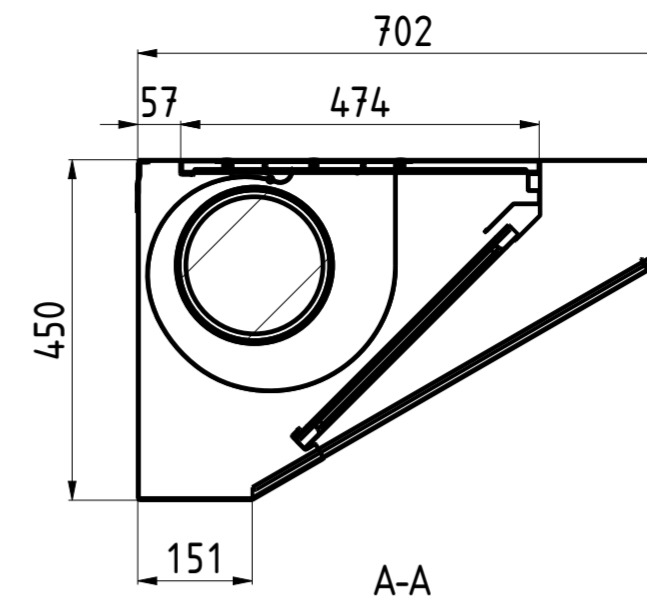


USCITA MOTORE MOTOR OUTPUT

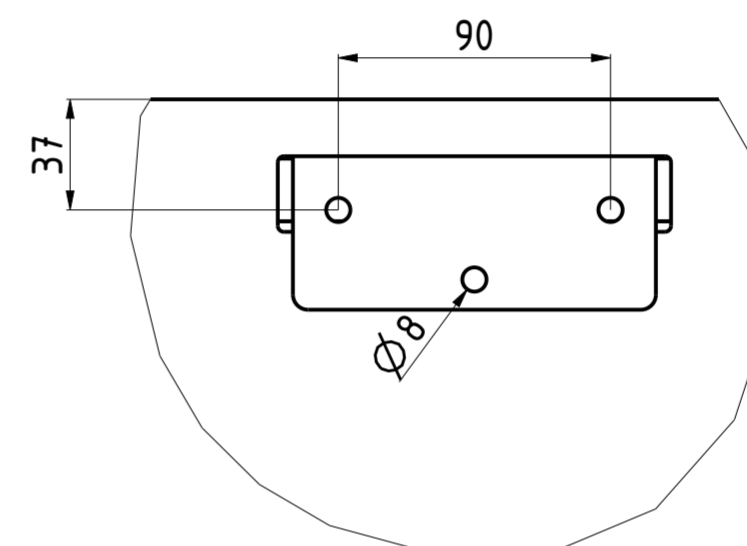
B-B



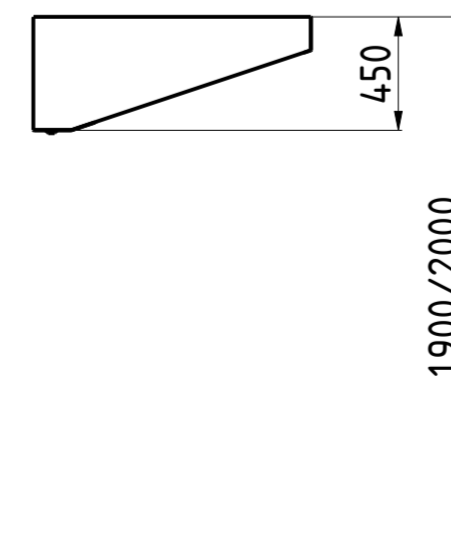
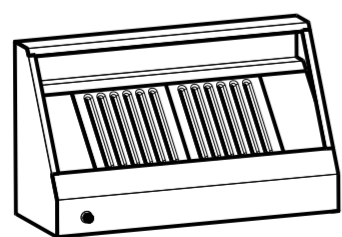
BACK VIEW 1:10



A-A



B(2:5)



NR. LUCI NR. LIGHTS	PORTATA FLOW RATE	HST mmH ₂ O	WATT	SDR	PESO (Kg) WEIGHT (Kg)
3	1050	24	147	7/7	53

DATA DATE	MODIF. N. MODIF. NO.	DESCRIZIONE MODIFICHE MODIFICATION DESCRIPTION	DISEGNATO DRAWN BY	APPROVATO APPROVED
MODELLO CAPPA SNACK CON MOTORE 7/12 MODEL SNACK HOOD WITH MOTOR 7/12				SCALA SCALE -
PARTICOLARE SCHEDA TECNICA DETAIL DATA SHEET				DATA DATE -
MATERIALE MATERIAL AISI 304 - AISI 430	SPES. THICK. -			SHEET 2 OF 3
FINITURA FINISH	PEZZI N. PIECES NO.			ULTIMA EMISS. LAST EDITION
TRATTAMENTO TREATMENT	COLORE COLOUR			

ELABORATO CON SISTEMA CAD
DESIGNED BY CAD/STEM
 QUOTA PRIMARIA
PRIMARY DIMENSION
 XX
 ANGOLI
Angles
 ±0.30°
 TOLLERANCE UNLESS OTHERWISE STATED
 QUOTE SENZA TOLLERANZA
 TOLERANCE UNLESS OTHERWISE STATED
 >500 ±0.75
 400-500 ±0.65
 315-400 ±0.60
 250-315 ±0.55
 180-250 ±0.50
 120-180 ±0.45
 80-120 ±0.40
 50-80 ±0.35
 30-50 ±0.30
 18-30 ±0.25
 10-18 ±0.20
 5-10 ±0.15
 0-5 ±0.10
 LUNGH. E DIAM.
LENGTH AND DIAM.
 FORM.A-2